

FEATURES

Open VPX VITA 62 compliant

- Wide input range
- High power DC output
- Efficiency of 90% typical
- Conduction cooled at card edge
- Conformal coating on PCB
- Intelligent Communication, Measurement and Control
- Support for ANSI/VITA 46 signals



6U Open VPX VITA 62 High Power Multi-Output Power Supply

The Behlman VPXtra™1000CM-IQ COTS DC to DC power supply is a rugged, highly reliable, conduction cooled, switch mode unit built for high-end industrial and military applications. The VPXtra™1000CM-IQ is a VITA 62, Open VPX compliant, 6U power supply that delivers 700 Watts of DC power via five outputs. The 12V output can be paralleled for higher power and redundancy. The VPXtra™1000CM-IQ operates from a 28 VDC input, IAW MIL-STD-704, and supplies a high power DC output.

The VPXtra™1000CM-IQ power supply has no minimum load requirement and has overvoltage and short circuit protection as well as over current and thermal protection. The power supply is designed to support the rigors of mission critical airborne, shipboard, vehicle and mobile applications.

Designed and manufactured with Xtra-Cooling™ technology, Xtra-Reliable™ design and Xtra-Rugged™ construction makes the Behlman VPXtra™ 1000CM-IQ your best choice.

INPUT

Voltage: 18 to 36 VDC

OUTPUT

Power: 700 Watts

Voltage/Current:

VS1/VS2 12 VDC +/- 1% @ 40 Amps

VS3 5 VDC +/- 1% @ 24 Amps

Auxiliary: 3.3 VDC +/- 3% @ 15 Amps

Auxiliary: -12 VDC +/- 2% @ 2 Amps

Auxiliary: +12 VDC +/- 2% @ 1 Amp

Line Regulation: 0.25% max.

Load Regulation: 0.25% max (VS1/VS2 and VS3)
2.0% max (Auxiliary outputs)

PARD-Ripple & Noise: 50mV p-p (0-20 MHz)

Efficiency: 90% typical

PROTECTIVE CIRCUITS

Over Voltage: 120% typical

Over Current: 120% typical

Short Circuit: Automatic recovery

Over Temperature: Shutdown

CONTROLS

(IAW VITA 62)

Inhibit: Output Off- active low

Enable: Input On- active low

INDICATORS

DC IN OK: Green

DC OUT: Green

OUT Fault: Yellow

TEMP Warning: Yellow

ALERT: Yellow

WP: Yellow

GENERAL CHARACTERISTICS

Isolation:

Input to Output: 500 VDC

Input to Case: 500 VDC

Output to Case: 100 VDC

MTBF: 277,000hrs G_b @ 50°C,
IAW MIL HDBK-217F Notice 2

ENVIRONMENTAL

Temperature at card edge (IAW VITA 47)

Operating: -40°C to +71°C

Storage: -40°C to +105°C

MECHANICAL (1.0 inch pitch)

See O&C drawing 24149-1 for connector details and pin assignment

Dimensions: 9.19"L x 6.64"W x .97"H

Weight: 6.5 lbs

Input Connector: P0, TE P/N: 6450833-7

Output Connector: P1, TE P/N: 6450839-6

COMPLIANCE:

EMI (MIL-STD-461): CE102 with external filter

Designed to meet the following:

- Shock: VITA 47 Class OS2
- Vibration: VITA 47 Class V3
- Humidity: VITA 47

IQ: Intelligent Communication, Measurement and control allow the user to monitor and report the following information over an I2C bus using a PMBUS command set:

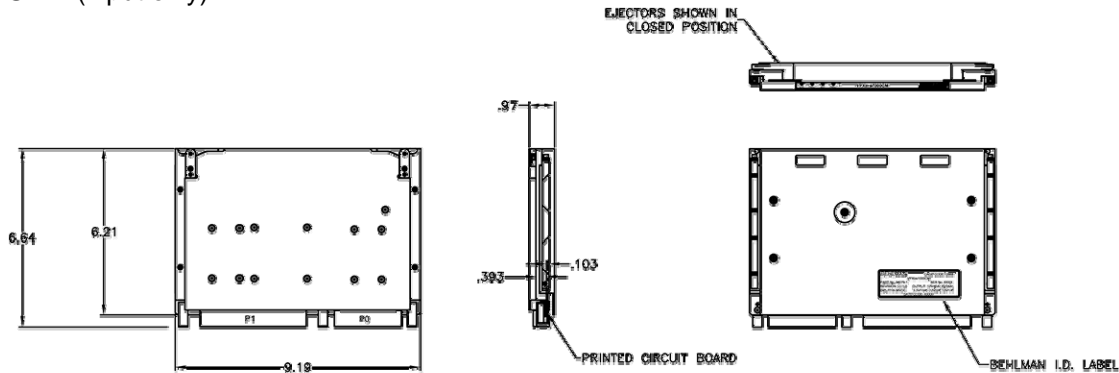
- Output voltages
- Output currents
- Input voltages
- Input Current
- Temperature at 3 different locations (one near each cooling rail and one in middle of unit)

Provides support for the following ANSI/VITA 46 signals

- Geographical Addressing
- NVMRO (Non-Volatile Memory Read Only)
- SYSRESET* (input only)

It also provides the following features:

- User adjustable warning/fault levels for voltage, current or temperature.
- Inventory management information including part number, serial number, and revision status.
 - SMBALERT# signal to alert the system controller of a change of the power supply status.
 - More than 200K of User Storage memory to allow user to store settings and information.
 - PMBUS status registers support.



VPXtra™ is a trademark of Behlman Electronics.
VPX is a trademark of VITA

For more detail, see VPXtra1000CM-IQ.DS Data Sheet



VITA Member

www.behlman.com

ORBIT POWER GROUP
Behlman Electronics

Headquarters:
80 Cabot Court, Hauppauge, NY 11788
631 435-0410 800 874-6727
Fax: 631 951-4341

2363 Teller Road, Suite 108
Newbury Park, CA 91320
805 375-7046 800 456-2006
Fax: 805 498-2147

sales@behlman.com

