

FEATURES

- Open VPX VITA 62 compliant
- Wide input range
- High power DC output
- Efficiency of 90% typical
- Conduction cooled at card edge
- Conformal coating on PCB



6U Open VPX VITA 62 High Power Multi-Output Power Supply

The Behlman VPXtra™1000CM COTS DC to DC power supply is a rugged, highly reliable, conduction cooled, switch mode unit built for high-end industrial and military applications. The VPXtra™1000CM is a VITA 62, Open VPX compliant, 6U power supply that delivers 700 Watts of DC power via five outputs. The 12V output can be paralleled for higher power and redundancy. The VPXtra™1000CM operates from a 28 VDC input, IAW MIL-STD-704, and supplies a high power DC output.

The VPXtra™1000CM power supply has no minimum load requirement and has overvoltage and short circuit protection as well as over current and thermal protection. The power supply is designed to support the rigors of mission critical airborne, shipboard, vehicle and mobile applications.

Designed and manufactured with *Xtra-Cooling™* technology, *Xtra-Reliable™* design and *Xtra-Rugged™* construction makes the Behlman VPXtra™1000CM your best choice.

INPUT

Voltage: 18 to 36 VDC
Operates below 22 VDC
with de-rating

OUTPUT

Power: 700 Watts

Voltage/Current:

- VS1/VS2** 12 VDC +/- 1% @ 40 Amps
- VS3** 5 VDC +/- 1% @ 24 Amps
- Auxiliary:** 3.3 VDC +/- 3% @ 15 Amps
- Auxiliary:** -12 VDC +/- 2% @ 2 Amps
- Auxiliary:** +12 VDC +/- 2% @ 1 Amp

Line Regulation: 0.5% max

Load Regulation: 0.25% max (VS1/VS2 and VS3)
2.0% max (Auxiliary outputs)

PARD-Ripple & Noise: 50mV p-p (0-20 MHz)

Efficiency: 90% typical

CONTROLS

Inhibit: Output Off- active low

Enable: Input On- active low

(IAW VITA 62)

INDICATORS

DC IN OK: Green

DC OUT: Green

OUT Fault: Red

TEMP Warning: Red

PROTECTIVE CIRCUITS

Over Voltage: 120% typical

Over Current: 120% typical

Short Circuit: Automatic recovery

Over Temperature: Shutdown

GENERAL CHARACTERISTICS

Isolation:

Input to Output: 500 VDC

Input to Case: 500 VDC

Output to Case: 100 VDC

MTBF: 277,000hrs G_b @ 50°C,
IAW MIL HDBK-217F Notice 2

ENVIRONMENTAL

Temperature at card edge (IAW VITA 47)

Operating: -40°C to +71°C

Storage: -40°C to +105°C

MECHANICAL (1.0 inch pitch)

See O&C drawing 24149-1 for connector details and pin assignment

Dimensions: 9.19"L x 6.64"W x .97"H

Weight: 6.5 lbs

Input Connector: P0, TE P/N: 6450833-7

Output Connector: P1, TE P/N: 6450839-6

COMPLIANCE:

EMI (MIL-STD-461): CE102 with external filter

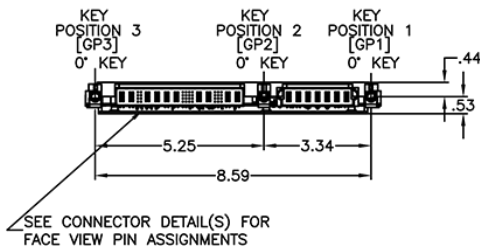
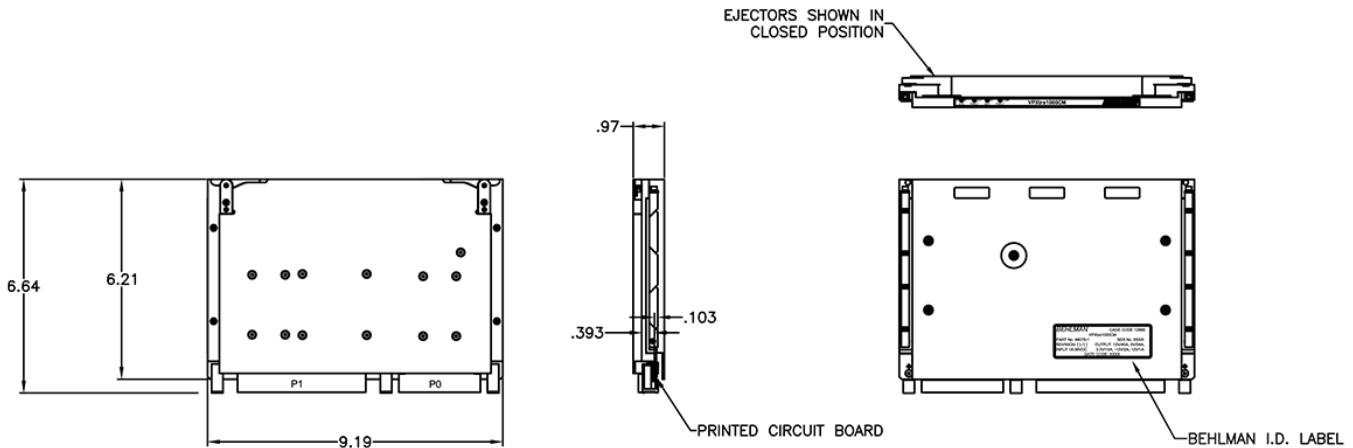
Designed to meet the following:

Shock: VITA 47 Class OS2

Vibration: VITA 47 Class V3

Humidity: VITA 47

VPXtra™ is a trademark of Behlman Electronics.
VPX is a trademark of VITA



For more detail, see VPXtra1000CM.DS Data Sheet



VITA Member



www.behlman.com

ORBIT POWER GROUP
Behlman Electronics

Headquarters:
80 Cabot Court, Hauppauge, NY 11788
631 435-0410 800 874-6727
Fax: 631 951-4341

2363 Teller Road, Suite 108
Newbury Park, CA 91320
805 375-7046 800 456-2006
Fax: 805 498-2147

sales@behlman.com

