

### FEATURES

- Open VPX VITA 62 compliant
- Three-phase active PFC input
- High power DC output
- Efficiency of 90% typical
- Conduction cooled at card edge
- Conformal coating on PCB



### 6U Open VPX VITA 62 High Power, Three-Phase PFC AC-DC Front-End Module

Behlman's VPXtra®1500CS COTS AC to DC front-end module is a rugged, highly reliable, conduction cooled, switch mode unit built for high-end industrial and military applications. The VPXtra®1500CS is a VITA 62, Open VPX compliant, 6U front-end module that accepts a 115/200 VAC, 3-phase input, IAW MIL-STD-704 and 115 VAC Delta IAW MIL-STD-1399 and delivers 1500W of 33 VDC power. **Input current harmonics comply with MIL-STD-461 (CE101) and MIL-STD-1399.**

The VPXtra®1500CS front-end module has no minimum load requirement and has over voltage and short circuit protection as well as over current and thermal protection. The front-end module is designed to support the rigors of mission critical airborne, shipboard, vehicle and mobile applications.

Designed and manufactured with *Xtra-Cooling*, *Xtra-Rugged* construction and *Xtra-High Reliability* makes the Behlman VPXtra® 1500CS your best choice.

### INPUT

**Voltage:** 115/200 VAC +/- 20%, 3-phase, and 115 VAC Delta +/- 20%  
47-440 Hz

**Power Factor:** 0.99

### OUTPUT

**Power:** 1500 Watts (with 115/200 input)  
1000 Watts (with 115 Delta input)

**Voltage/Current:** 33 VDC @ 46 Amps  
**Auxiliary:** 3.3 VDC @ 0.2 Amps

**Input Regulation:** 0.5% max.

**Load Regulation:** 5.0% max. (0-100%)

**PARD-Ripple & Noise:** 300mVp-p (0-20MHz)

**Efficiency:** 90% typical

### CONTROLS

**Inhibit:** Output Off- active low

**Enable:** Input On- active low

### (IAW VITA 62)

### INDICATORS

**AC OK:** Green

**DC OK:** Green

**OUTPUT Enable:** Green

**TEMP Warning:** Red

### PROTECTIVE CIRCUITS

**Over Voltage:** 110% typical

**Over Current:** 120% typical

**Short Circuit:** Automatic recovery

**Over Temp:** Shutdown

### GENERAL CHARACTERISTICS

#### ISOLATION:

Input to Output: 1250 VDC  
 Input to Case: 1250 VDC  
 Output to Case: 100 VDC

MTBF: 95,000hrs G<sub>b</sub> @ 50°C,  
 IAW MIL HDBK-217F Notice 2

### ENVIRONMENTAL

Temperature at card edge (IAW VITA 47)

Operating: -40°C to +71°C  
 Storage: -40°C to +105°C

### MECHANICAL (1.0 inch pitch)

See O&C drawing 24150-X for connector details and pin assignment

Dimensions: 9.19"L x 6.64"W x .97"H

Weight: 5.5 lbs.

Input Connector: P0, TE P/N: 6450833-7

Output Connector: P1, TE P/N: 6450839-6

### COMPLIANCE

EMI: CE101-3 & -4 IAW MIL-STD-461  
 CE102, Requires external filter

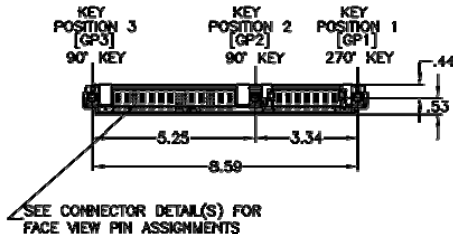
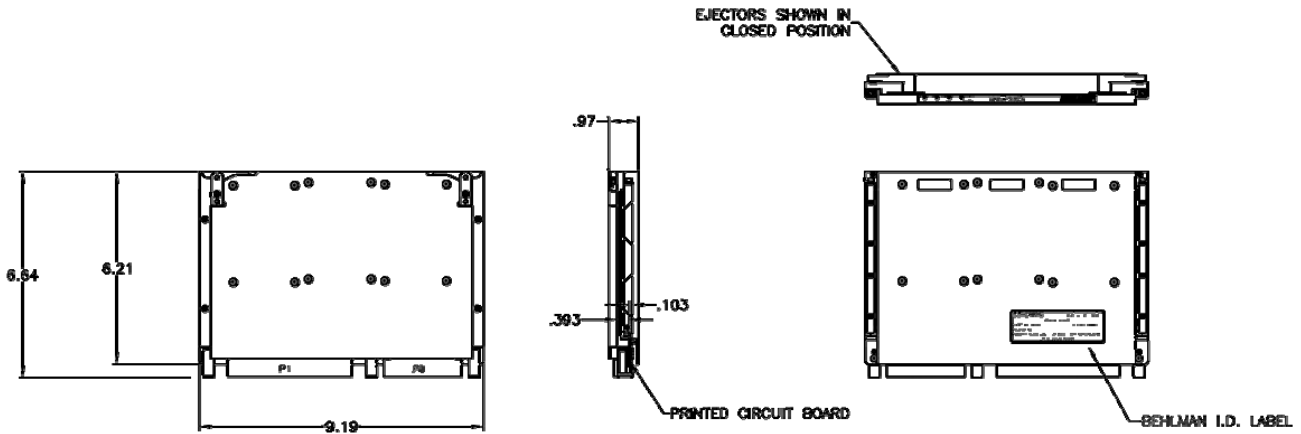
Designed to meet the following:

Shock: VITA 47 Class OS2

Vibration: VITA 47 Class V3

Humidity: VITA 47

VPXtra<sup>®</sup> is a trademark of Behlman Electronics.  
 VPX is a trademark of VITA



For more detail, see VPXtra1500CS.DS Data sheets



VITA Member

[www.behlman.com](http://www.behlman.com)

**ORBIT POWER GROUP**  
**Behlman Electronics**

Headquarters:  
 80 Cabot Court, Hauppauge, NY 11788  
 631 435-0410 800 874-6727  
 Fax: 631 951-4341

[sales@behlman.com](mailto:sales@behlman.com)

