

VPXtra™ 1500CS

FEATURES

- Open VPX VITA 62 compliant
- Three-phase active PFC input
- High power DC output
- Efficiency of 90% typical
- Conduction cooled at card edge
- Conformal coating on PCB



6U Open VPX VITA 62 High Power, Three-Phase PFC AC-DC Front-End Module

Behlman's VPXtra™1500CS COTS AC to DC front-end module is a rugged, highly reliable, conduction cooled, switch mode unit built for high-end industrial and military applications. The VPXtra™1500CS is a VITA 62, Open VPX compliant, 6U front-end module that accepts a 115/200 VAC, 3-phase input, IAW MIL-STD-704 and 115 VAC Delta IAW MIL-STD-1399 and delivers 1500W of 33 VDC power. **Input current harmonics comply with MIL-STD-461 (CE101) and MIL-STD-1399.**

The VPXtra™1500CS front-end module has no minimum load requirement and has over voltage and short circuit protection as well as over current and thermal protection. The front-end module is designed to support the rigors of mission critical airborne, shipboard, vehicle and mobile applications.

Designed and manufactured with Xtra-Cooling™, Xtra-Rugged™ construction and Xtra-High™ Reliability makes the Behlman VPXtra™ 1500CS your best choice.

INPUT

Voltage: 115/200 VAC +/- 20%, 3-phase, and 115 VAC Delta +/- 20%
47-440 Hz

Power Factor: 0.99

OUTPUT

Power: 1500 Watts (with 115/200 input)
1000 Watts (with 115 Delta input)

Voltage/Current: 33 VDC @ 46 Amps
Auxiliary: 3.3 VDC @ 0.2 Amps

Input Regulation: 0.5% max.

Load Regulation: 5.0% max. (0-100%)

PARD-Ripple & Noise: 300mVp-p (0-20MHz)

Efficiency: 90% typical

CONTROLS

Inhibit: Output Off- active low

Enable: Input On- active low

(IAW VITA 62)

INDICATORS

AC OK: Green

DC OK: Green

OUTPUT Enable: Green

TEMP Warning: Red

PROTECTIVE CIRCUITS

Over Voltage: 110% typical

Over Current: 120% typical

Short Circuit: Automatic recovery

Over Temp: Shutdown

GENERAL CHARACTERISTICS

ISOLATION:

Input to Output: 1250 VDC
 Input to Case: 1250 VDC
 Output to Case: 100 VDC

MTBF: 95,000hrs G_b @ 50°C,
 IAW MIL HDBK-217F Notice 2

ENVIRONMENTAL

Temperature at card edge (IAW VITA 47)

Operating: -40°C to +71°C
 Storage: -40°C to +105°C

MECHANICAL (1.0 inch pitch)

See O&C drawing 24150-X for connector details and pin assignment

Dimensions: 9.19"L x 6.64"W x .97"H
 Weight: 5.5 lbs.
 Input Connector: P0, TE P/N: 6450833-7
 Output Connector: P1, TE P/N: 6450839-6

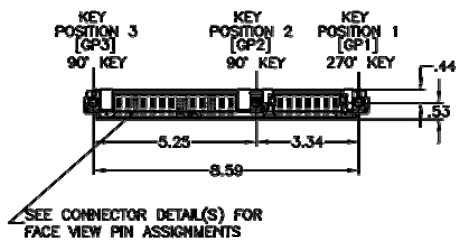
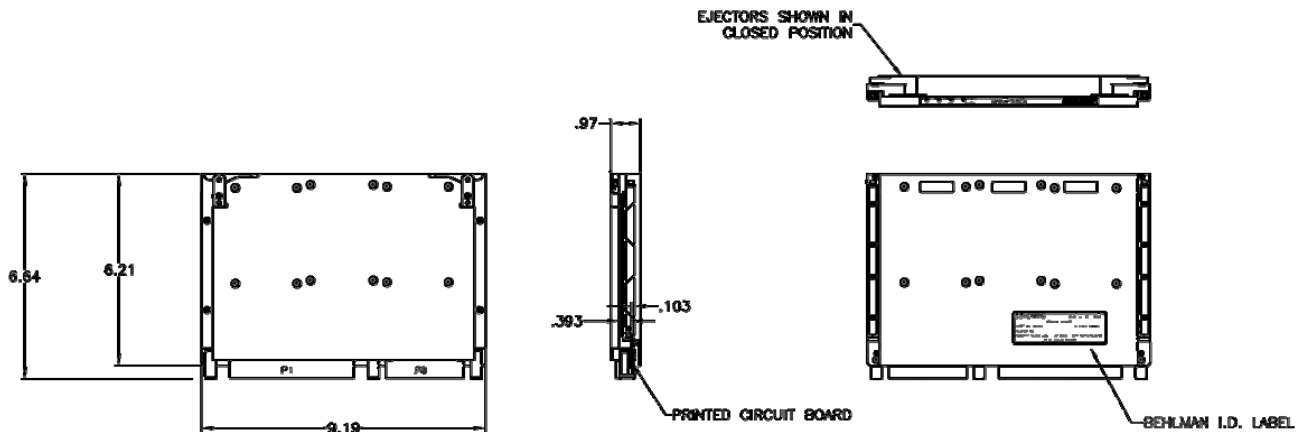
COMPLIANCE

EMI: CE101-3 & -4 IAW MIL-STD-461
 CE102, Requires external filter

Designed to meet the following:

Shock: VITA 47 Class OS2
 Vibration: VITA 47 Class V3
 Humidity: VITA 47

VPXtra™ is a trademark of Behlman Electronics.
 VPX is a trademark of VITA



For more detail, see VPXtra1500CS.DS Data sheets



VITA Member

www.behlman.com

ORBIT POWER GROUP
Behlman Electronics

Headquarters:
 80 Cabot Court, Hauppauge, NY 11788
 631 435-0410 800 874-6727
 Fax: 631 951-4341

2363 Teller Road, Suite 108
 Newbury Park, CA 91320
 805 375-7046 800 456-2006
 Fax: 805 498-2147

sales@behlman.com

