

VPXtra® HU700HV

FEATURES

- Open VPX VITA 62 compatible
- Wide input range
- High power DC output
- Hold-up 650 watts for 50 msec
- Conduction cooled at card edge
- Conformal coating on PWA



3U Open VPX VITA 62 compatible Hold-Up card

The Behlman VPXtra®HU700HV COTS Hold-Up card is a rugged, highly reliable, conduction cooled, unit built for high-end industrial and military applications. The VPXtra® HU700HV is a VITA 62, Open VPX compatible, 3U hold-up card that supplies energy storage to hold-up 800 Watts of DC power for 50 msec when used with Behlman's VPXtra®800A.

The power supply is designed to support the rigors of mission critical airborne, shipboard, vehicle and mobile applications.

Designed and manufactured with *Xtra-Cooling*, *Xtra-Reliable Design* and *Xtra-Rugged* construction makes the Behlman VPXtra®HU700HV your best choice.

INPUT

Voltage:	270 VDC (230-310 VDC) Designed to meet the input power transients of MIL-STD-704 (A to F)
Grounding:	All input and output terminals (excluding the designated Chassis GND terminal) shall be isolated from the metal enclosure

HOLD-UP

Power:	800 Watts
Time:	50 msec typ. (when used with VPXtra800A)
Charging Time:	100 msec max
Discharge Time:	Voltage at pin shall be 30 V or lower in 2 seconds after removing input power

INDICATOR

Charge Status:	Bi-color LED (Red/Green)
-----------------------	--------------------------

GENERAL CHARACTERISTICS

Isolation:	
Input to Output:	1000 VDC
Input to Case:	1000 VDC
Output to Case:	1000 VDC
MTBF:	1,668,117hrs G _F @ 55°C, IAW MIL HDBK-217F Notice 2

ENVIRONMENTAL

Temperature at card edge (IAW VITA 47)	
Operating:	-40°C to +85°C
Storage:	-55°C to +105°C

COMPLIANCE

Designed to meet the following:	
Shock:	VITA 47 Class OS2
Vibration:	VITA 47 Class V3
Humidity:	VITA 47
EMI :	MIL-STD-461

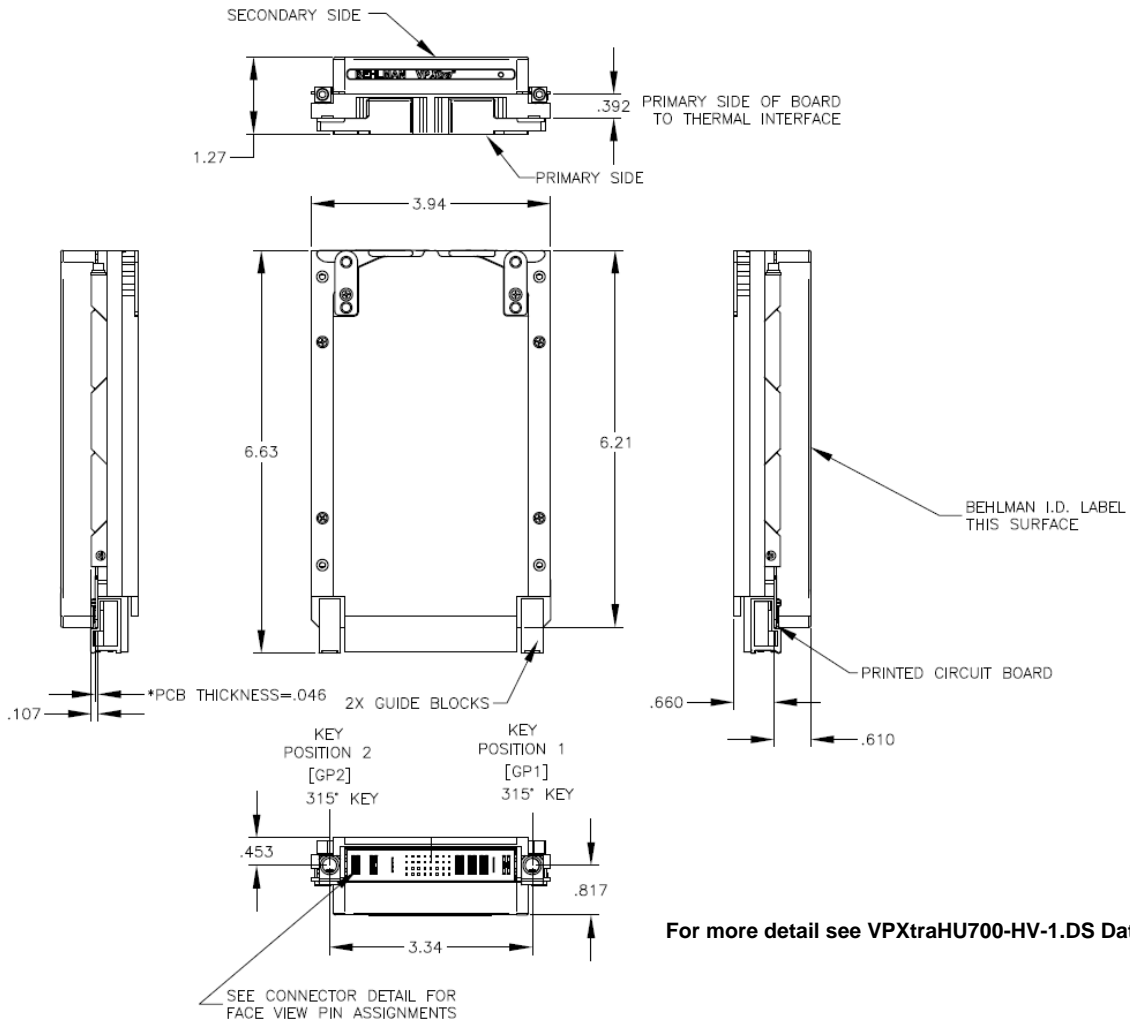
MECHANICAL (1.3 inch pitch)

See O&C drawing 24178 for connector details and pin assignments

Dimensions: 3.94"W x 6.63"L x 1.27"H

Weight: 1.6 lbs.

Connector: TE P/N: 6450839-7



For more detail see VPXtraHU700-HV-1.DS Data Sheet

