

FEATURES

- Open VPX VITA 62 compliant
- Wide input range
- High power DC output
- Efficiency of 90% typical
- Conduction cooled at card edge
- Conformal coating on PCB



6U Open VPX VITA 62 High Power 12 VDC Power Supply with 3.3 V Auxiliary

The Behlman VPXtra®1000CD COTS DC to DC power supply is a rugged, highly reliable, conduction cooled, switch mode unit built for high-end industrial and military applications. The VPXtra®1000CD is a VITA 62, Open VPX compliant, 6U power supply that delivers 1000 Watts of DC power via two outputs. The 12V output can be paralleled for higher power and redundancy. The VPXtra®1000CD operates from a 28VDC input, IAW MIL-STD-704, and supplies a high power DC output.

The VPXtra®1000CD power supply has no minimum load requirement and has overvoltage and short circuit protection as well as over current and thermal protection. The power supply is designed to support the rigors of mission critical airborne, shipboard, vehicle and mobile applications.

Designed and manufactured with *Xtra-Cooling* technology, *Xtra-Reliable* design and *Xtra-Rugged* construction makes the Behlman VPXtra®1000CD your best choice.

INPUT

Voltage: 18 to 36 VDC
Operates below 22 VDC with de-rating

OUTPUT

Power: 1000 Watts
Voltage/Current:
 VS1/VS2/VS3 12 VDC +/-1% @ 84 Amps
 Auxiliary: 3.3 VDC +/-1% @ 15 Amps
Line Regulation: 0.5% max.
Load Regulation: 0.25% max. (12V output)
1.0% max. (3.3V output)
PARD-Ripple & Noise: 50mVp-p max (0-20MHz)
Efficiency: 90% typical

CONTROLS

Inhibit: Output Off- active low
Enable: Input On- active low

(IAW VITA 62)

INDICATORS

DC IN OK: Green
DC OUT: Green
OUT Fault: Red
TEMP Warning: Red

PROTECTIVE CIRCUITS

Over Voltage: 120% typical
Over Current: 120% typical
Short Circuit: Automatic recovery
Over Temperature: Shutdown

GENERAL CHARACTERISTICS

Isolation:

Input to Output: 500 VDC
Input to Case: 500 VDC
Output to Case: 100 VDC

MTBF: 336,000hrs G_b @ 50°C,
IAW MIL HDBK-217F Notice 2

ENVIRONMENTAL

Temperature at card edge (IAW VITA 47)

Operating: -40°C to +71°C
Storage: -40°C to +105°C

MECHANICAL (1.0 inch pitch)

See O&C drawing 24148-1 for connector details and pin assignment

Dimensions: 9.19"L x 6.64"W x .97"H

Weight: 3.5 lbs

Input Connector: P0, TE P/N: 6450833-7

Output Connector: P1, TE P/N: 6450839-6

COMPLIANCE:

EMI (MIL-STD-461): CE102 with external filter

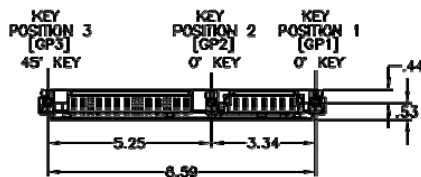
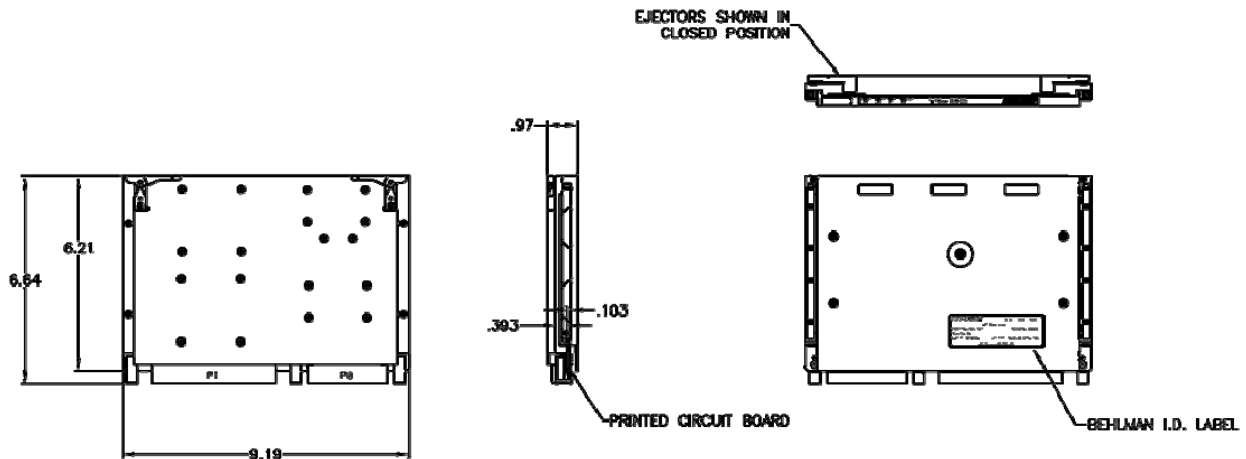
Designed to meet the following:

Shock: VITA 47 Class OS2

Vibration: VITA 47 Class V3

Humidity: VITA 47

VPXtra[®] is a trademark of Behlman Electronics.
VPX is a trademark of VITA



For more detail, see VPXtra1000CD.DS Data sheets



VITA Member

www.behlman.com

ORBIT POWER GROUP
Behlman Electronics

Headquarters:
80 Cabot Court, Hauppauge, NY 11788
631 435-0410 800 874-6727
Fax: 631 951-4341

sales@behlman.com

