

VPXtra® HU700HV

3U Accessory Hold-Up Card for VPXtra800B

FEATURES

- Wide Input Range
- High Power DC Output
- 50 msec Hold-up for 700W[†] when used in conjunction with VPXtra800B
- Conduction Cooled at Card Edge
- Conformal Coating on PWA



The Behlman VPXtra®HU700HV COTS Hold-Up card is a rugged, highly reliable, conduction cooled, unit built for high-end industrial and military applications. The VPXtra® HU700HV is a 3U hold-up card expressly designed for use with Behlman's VPXtra®800B power supply to provide sufficient energy storage to hold-up 700W[†] of DC power for 50 msec as specified by MIL-STD-704.

The power supply is designed to support the rigors of mission critical airborne, shipboard, vehicle and mobile applications.

Designed and manufactured with *Xtra-Cooling*, *Xtra-Reliable* Design and *Xtra-Rugged* construction makes the Behlman VPXtra®HU700HV your best choice.

INPUT

Voltage:	270 VDC (230-310 VDC) Designed to meet the input power transients of MIL-STD-704 (A to F)
Grounding:	All input and output terminals (excluding the designated Chassis GND terminal) shall be isolated from the metal enclosure

HOLD-UP

Power:	700 Watts [†]
Time:	50 msec typ. (when used with VPXtra®800B)
Charging Time:	100 msec max
Discharge Time:	Voltage at output pins shall be 30V or lower no more than 2 seconds after removal of source power

INDICATOR

Charge Status:	Bi-color LED (Red/Green)
-----------------------	--------------------------

GENERAL CHARACTERISTICS

Isolation:	
Input to Output:	1000 VDC
Input to Case:	1000 VDC
Output to Case:	1000 VDC
MTBF:	1,668,117hrs G _F @ 55°C, IAW MIL HDBK-217F Notice 2

ENVIRONMENTAL

Temperature at card edge (IAW VITA 47)	
Operating:	-40°C to +85°C
Storage:	-55°C to +105°C
Altitude:	70,000 ft.

COMPLIANCE

Designed to meet the following:	
EMI :	MIL-STD-461
Shock:	VITA 47 Class OS2
Vibration:	VITA 47 Class V3
Humidity:	VITA 47

[†] Assumes nominal 115/200VAC or 270VDC source voltage; contact factory for characteristics at other source voltages

MECHANICAL (1.3 inch pitch)

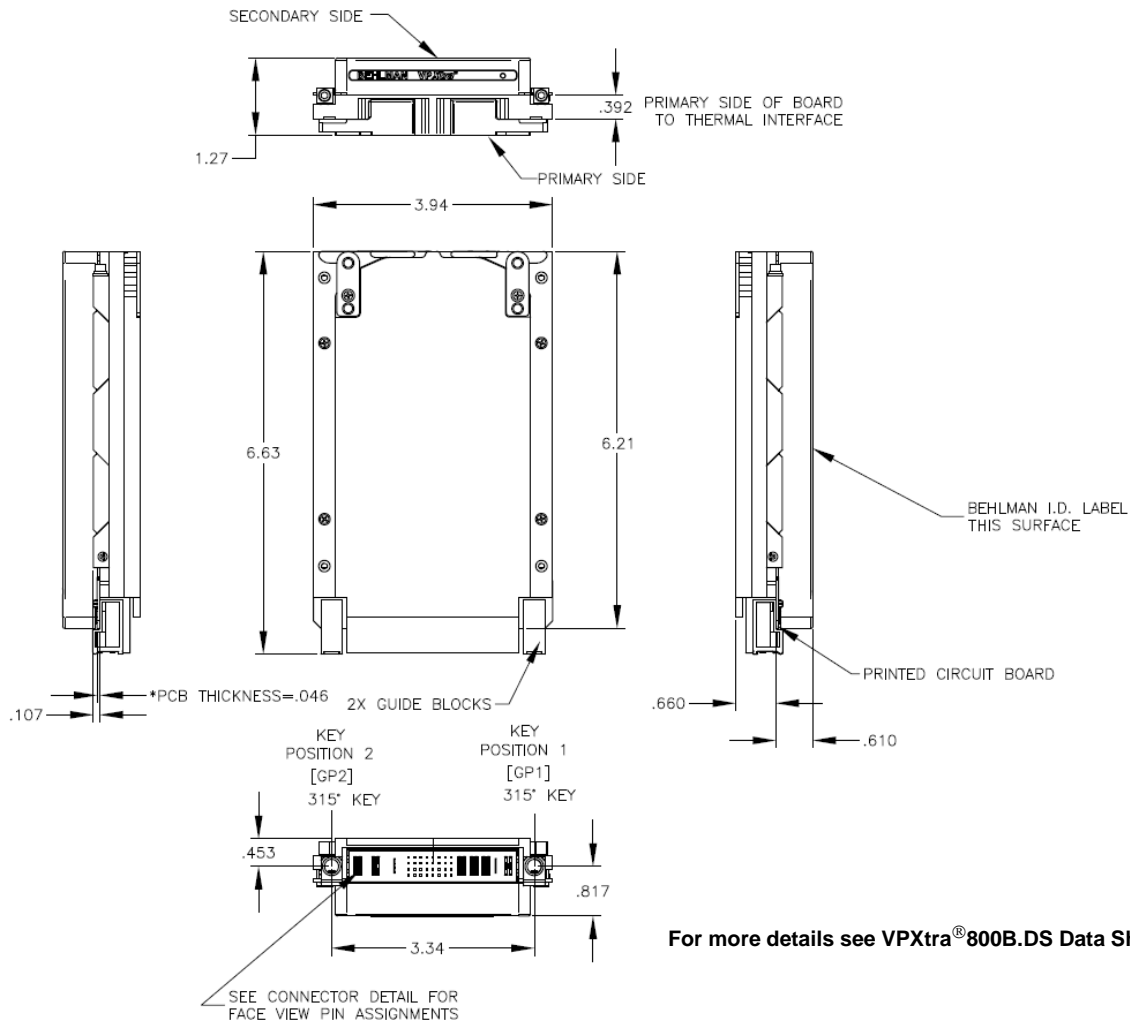
See O&C drawing 24178 for connector details and pin assignments

Dimensions: 3.94"W x 6.63"L x 1.27"H

Weight: 1.6 lbs.

Connector: Behlman P/N: 11489

[Contact factory for mating connector]



For more details see VPXtra®800B.DS Data Sheet



VITA Member

www.behlman.com

ORBIT POWER GROUP
Behlman Electronics

Headquarters:
80 Cabot Court, Hauppauge, NY 11788
631 435-0410 800 874-6727
Fax: 631 951-4341

sales@behlman.com

